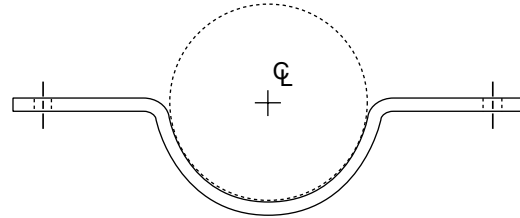


## Fig. 38 SD

### Half Clamp

This product is a special design per customer requirements.  
Contact Anvil Intl. for further information and how to order.



## Fig. 40 SD

### Riser Clamp

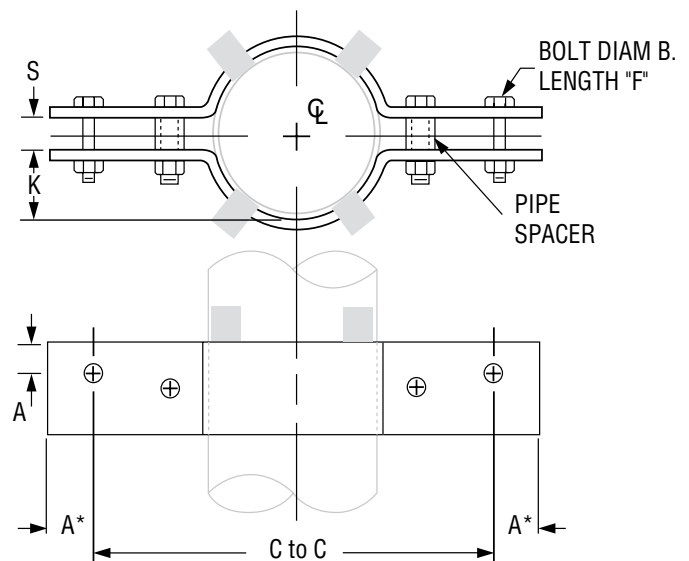
**Material:** Carbon steel chrome molybdenum or stainless steel.

**Finish:** Plain or Galvanized

**Maximum Temperature:** As required.

**Ordering:** Specify figure number 40SD, riser clamp special design, material, exact pipe size, load, operating temperature, insulation thickness, C-C dimension, rod diameter, finish and if connected to a spring or rigid connection.

**Service:** Riser clamps are used for the support of vertical piping. Load is carried by shear lugs which are welded to the pipe. Shear lugs not provided.



PROJECT INFORMATION		APPROVAL STAMP	
Project:		<input type="checkbox"/> Approved	
Address:		<input type="checkbox"/> Approved as noted	
Contractor:		<input type="checkbox"/> Not approved	
Engineer:		Remarks:	
Submittal Date:			
Notes 1:			
Notes 2:			