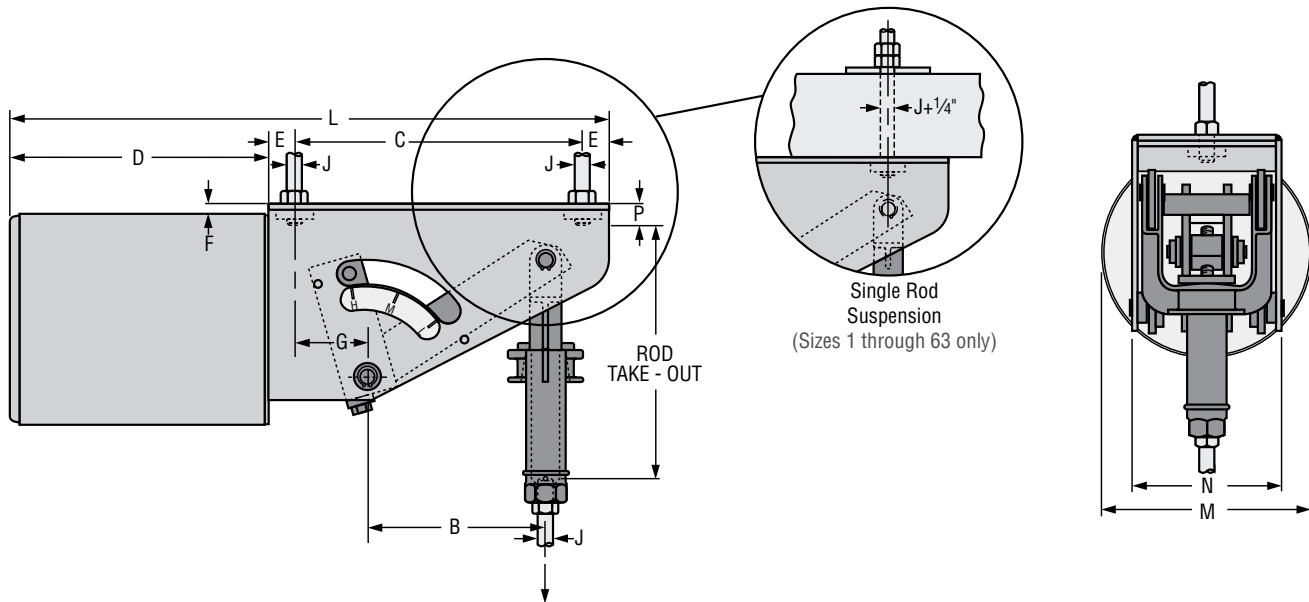


CONSTANT SUPPORTS

Fig. 81-H Type A

Model R



Type A of the Figure 81- H Horizontal Design Model R Constant Support Hanger is designed for attaching to its supporting member by screwing two rods into tapped holes in the top of the hanger from a distance equal to the "P" dimension plus 3/8". Sizes 1 to 9 are furnished with swivel eye and turnbuckle instead of yoke and coupling.

Notes: Also available for single rod suspension as indicated above. When ordering specify " for single rod suspension". See load travel tables, page 184 through 187 for "B" dimension. For weights see page 203. Location of travel indicator and contour of side plate may vary from that shown.

FIG. 81-H TYPE A: DIMENSIONS (IN)

Hanger Sizes	D	E	F	G	M	N	P	Total Travel TT	L	C	Factors	J-Rod		
												Min Thread Length	Rod Dia.	
													Min	Max
1-9	8 1/4	1	7/8	2	6 1/8	4 1/8	1 3/16	4 or less	16 1/4	6	12 3/4	1 3/4 + TT	1/2	1/2
								4 1/2 or more	20 1/4	10	15 5/16			
10-18	8 7/16	1	1/2	2 9/16	8 5/16	6 7/16	1 1/16	5 or less	18 7/16	8	10 7/8	1 3/4 + TT	1/2	3/4
								5 1/2 or more	21 7/16	11	13 3/4			
19-34	14 7/16	1 1/4	5/8	3 3/8	12 7/16	8 9/16	1 1/8	5 or less	26 15/16	10	16 3/4	2 3/8 + TT	1/2	1 1/4
								5 1/2 or more	31 1/16	14 1/8	18 7/8			
35-49	17 7/16	1 3/4	1 1/16	4 3/4	13 3/4	9 3/16	1 3/8	6 or less	31 9/16	11	21 1/8	3 1/4 + TT	1/2	1 3/4
								6 1/2 or more	39 9/16	19	25 3/4			
50-63	26 3/16	1 11/16	1 5/16	7 11/16	17 11/16	11 1/4	1 3/4	8 or less	45 9/16	16	24 15/16	4 1/4 + TT	3/4	2 1/4
								8 1/2 to 11	53 9/16	24	24 15/16			
								11 1/2 or more	53 9/16	24	30 1/4			
64-74	35 3/4	3	3 3/4	5 1/4	22 3/16	11	3 7/16	10 1/2 or less	57 1/2	15 3/4	34 7/16	5 3/4 + TT	1 1/4	2 3/4
								11 or more	63	21 1/4	34 9/16			
75-83	35 3/4	3 3/4	3 5/8	5	27 3/16	11	4 1/4	10 1/2 or less	57 1/2	15 3/4	36 1/2	5 3/4 + TT	1 1/2	3 1/4
								11 or more	63	20 3/4	36 5/8			
84-110	See page 202													

*Rod take-out = (factor)-(TT / 2) for lever in high position.

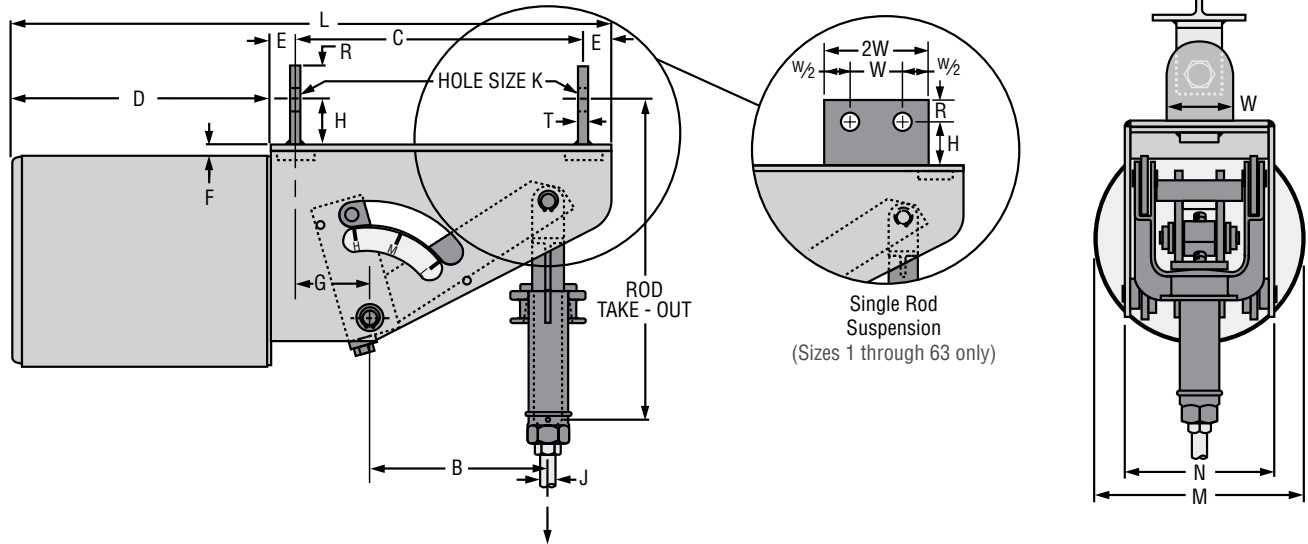
J-ROD SELECTION CHART

Load (lbs)	0 800	801 1,500	1,501 2,540	2,541 4,000	4,001 6,100	6,101 9,400	9,401 13,400	13,401 18,300	18,301 24,700	24,701 31,000	31,001 39,000	39,001 48,000	48,001 58,000
Rod Size	1/2	5/8	3/4	1	1 1/4	1 1/2	1 3/4	2	2 1/4	2 1/2	2 3/4	3	3 1/4*

* 3 1/4" is furnished with 4 UNC series thread.

Fig. 81-H Type B

Model R



Type B is furnished with two lugs – one at each end of the hanger frame. These lugs permit use of Fig. 66 welded beam attachments, clevises or angle clips for attachment where headroom is limited. Sizes 1 to 9 are furnished with swivel eye and turnbuckle instead of yoke and coupling.

Notes: Also available for single rod suspension as indicated above. When ordering specify “for single rod suspension.” See load travel tables, page 184 through 187 for “B” dimension. For weights see page 203. Location of travel indicator and contour of side plate may vary from that shown.

FIG. 81-H TYPE B: DIMENSIONS (IN)

Hanger Sizes	D	E	F	G	H	M	N	Total Travel TT	L	C	Factors	J-Rod		
												Min Thd Length	Rod Dia.	
													Min	Max
1 - 9	8 ¹ / ₄	1 ¹ / ₄	7 ⁷ / ₈	1 ³ / ₄	1 ¹ / ₂	6 ¹ / ₈	4 ¹ / ₈	4 or less	16 ¹ / ₄	5 ¹ / ₂	14 ⁵ / ₈	1 ³ / ₄ + TT	1/2	1/2
								4 ¹ / ₂ or more	20 ¹ / ₄	9 ¹ / ₂	17 ³ / ₁₆			
10 - 18	8 ⁷ / ₁₆	1 ¹ / ₄	1/2	2 ⁵ / ₁₆	1 ¹ / ₂	8 ⁵ / ₁₆	6 ⁷ / ₁₆	5 or less	18 ¹ / ₁₆	7 ¹ / ₂	13 ¹ / ₁₆	1 ³ / ₄ + TT	1/2	3/4
								5 ¹ / ₂ or more	21 ¹ / ₁₆	10 ¹ / ₂	15 ¹ / ₁₆			
19 - 34	14 ⁷ / ₁₆	1 ³ / ₈	5/8	3 ³ / ₄	2	12 ⁷ / ₁₆	8 ⁹ / ₁₆	5 or less	26 ¹⁵ / ₁₆	9 ³ / ₄	19 ⁷ / ₈	2 ³ / ₈ + TT	1/2	1 ¹ / ₄
								5 ¹ / ₂ or more	31 ¹ / ₁₆	13 ³ / ₈	22			
35 - 49	16 ¹³ / ₁₆	2	1 ¹ / ₁₆	4 ¹ / ₂	3	13 ³ / ₄	9 ¹³ / ₁₆	6 or less	31 ¹ / ₁₆	10 ¹ / ₂	25 ⁵ / ₈	3 ¹ / ₄ + TT	1/2	1 ³ / ₄
								6 ¹ / ₂ or more	39 ⁹ / ₁₆	18 ¹ / ₂	30 ¹ / ₈			
								8 or less	45 ⁵ / ₁₆	13 ³ / ₈	30 ¹¹ / ₁₆			
50 - 63	26 ³ / ₁₆	3	1 ⁵ / ₁₆	6 ³ / ₈	4	17 ³ / ₈	11 ¹ / ₄	8 ¹ / ₂ to 11	53 ³ / ₁₆	21 ³ / ₈	30 ¹¹ / ₁₆	4 ¹ / ₄ + TT	3/4	2 ¹ / ₄
								11 ¹ / ₂ or more	53 ³ / ₁₆	21 ³ / ₈	36			
64 - 74	35 ³ / ₄	3 ³ / ₄	3 ³ / ₄	5	4 ¹ / ₂	22 ³ / ₁₆	11	10 ¹ / ₂ or less	57 ¹ / ₂	15 ¹ / ₄	42 ³ / ₈	5 ³ / ₄ + TT	1 ¹ / ₄	2 ³ / ₄
								11 or more	63	20 ³ / ₄	42 ¹ / ₂			
75 - 83	35 ³ / ₄	3 ¹ / ₂	3 ⁵ / ₈	4 ³ / ₄	5	27 ³ / ₁₆	11	10 ¹ / ₂ or less	57 ¹ / ₂	14 ³ / ₄	45 ³ / ₄	5 ³ / ₄ + TT	1 ¹ / ₂	3 ¹ / ₄ **
								11 or more	63	20 ¹ / ₄	45 ⁷ / ₈			
84 - 110	See page 202													

* Rod take-out = (factor) - (TT / 2), for lever in high position.

J-ROD AND K-HOLE SELECTION CHART

Load (lbs)	0 800	801 1,500	1,501 2,540	2,541 4,000	4,001 6,100	6,101 9,400	9,401 13,400	13,401 18,300	18,301 24,700	24,701 31,000	31,001 39,000	39,001 48,000	48,001 58,000
J-rod	1/2	5/8	3/4	1	1 ¹ / ₄	1 ¹ / ₂	1 ³ / ₄	2	2 ¹ / ₄	2 ¹ / ₂	2 ³ / ₄	3	3 ¹ / ₄ **
K-Hole Size	1 ¹ / ₁₆	1 ³ / ₁₆	1 ⁵ / ₁₆	1 ¹ / ₄	1 ¹ / ₂	1 ³ / ₄	2	2 ³ / ₈	2 ⁵ / ₈	2 ⁷ / ₈	3 ¹ / ₈	3 ³ / ₈	3 ⁵ / ₈
R	1 ¹ / ₄	1 ¹ / ₄	1 ¹ / ₄	1 ¹ / ₂	2	2 ¹ / ₂	2 ¹ / ₂	3	3	4	4	4	4 ¹ / ₂
T	1/4*	1/4*	3/8	1/2	5/8	3/4	3/4	3/4	3/4	1	1	1	1
W	2 ¹ / ₂	2 ¹ / ₂	2 ¹ / ₂	3	4	5	5	6	6	8	8	8	9

* 3/8" for single rod suspension ** 3/4" is furnished with 4 UNC series thread.

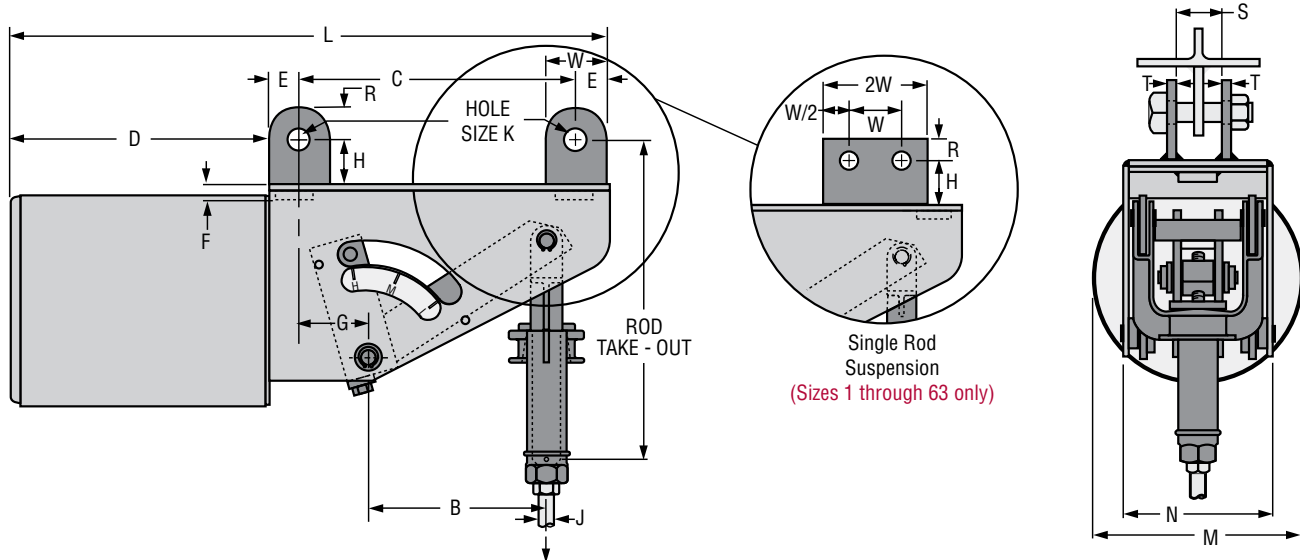


Stanchions & Supports
Guides & Slides
Pipe Rolls & Saddles
Trapeze
Spring Hangers
Constant Supports
Vibration Control & Sway Brace
Sway Strut Assembly
Snubbers
Special Design Products
Seismic Braces
Seismic Restraints
Technical Data
Index

CONSTANT SUPPORTS

Fig. 81-H Type C

Model R



Type C is furnished with two pair of lugs, one pair of lugs at each of the hanger frame. These lugs permit the use of two eye rods or two single plates for attachment where headroom is limited. Sizes 1 to 9 are furnished with swivel eye and turnbuckle instead of yoke and coupling.

Notes: Also available for single rod suspension as indicated above. When ordering specify "for single rod suspension." See load travel tables, page 184 through 187 for "B" dimension. For weights see page 205. Location of travel indicator and contour of side plate may vary from that shown.

FIG. 81-H TYPE C: DIMENSIONS (INCHES)

Hanger Sizes	D	E	F	G	H	M	N	Total Travel TT	L	C	Factors	J-Rod		
												Min Thd Length	Rod Dia.	
												Min	Max	
1 - 9	8 ¹ / ₄	1 ¹ / ₄	7 ⁷ / ₈	1 ³ / ₄	1 ¹ / ₂	6 ⁵ / ₈	4 ¹ / ₈	4 or less	16 ¹ / ₄	5 ¹ / ₂	14 ³ / ₈	1 ³ / ₄ + TT	1 ¹ / ₂	1 ¹ / ₂
								4 ¹ / ₂ or more	20 ³ / ₄	9 ¹ / ₂	17 ³ / ₁₆			
10 - 18	8 ⁷ / ₁₆	1 ¹ / ₄	1 ¹ / ₂	2 ⁵ / ₁₆	1 ¹ / ₂	8 ⁵ / ₁₆	6 ⁷ / ₁₆	5 or less	18 ¹ / ₁₆	7 ¹ / ₂	13 ¹ / ₁₆	1 ³ / ₄ + TT	1 ¹ / ₂	3 ³ / ₄
								5 ¹ / ₂ or more	21 ¹ / ₁₆	10 ¹ / ₂	15 ⁷ / ₁₆			
19 - 34	14 ⁷ / ₁₆	2	5 ⁵ / ₈	3 ³ / ₈	2	12 ⁷ / ₁₆	8 ⁹ / ₁₆	5 or less	26 ¹⁵ / ₁₆	8 ¹ / ₂	19 ⁷ / ₈	2 ³ / ₈ + TT	1 ¹ / ₂	1 ¹ / ₄
								5 ¹ / ₂ or more	31 ¹ / ₁₆	12 ⁵ / ₈	22			
35 - 49	17 ¹ / ₁₆	2 ¹ / ₂	1 ¹ / ₁₆	4	3	13 ³ / ₄	9 ¹³ / ₁₆	6 or less	31 ¹ / ₁₆	9 ¹ / ₂	25 ⁵ / ₈	3 ¹ / ₄ + TT	1 ¹ / ₂	1 ³ / ₄
								6 ¹ / ₂ or more	39 ⁹ / ₁₆	17 ¹ / ₂	30 ³ / ₈			
50 - 63	26 ³ / ₁₆	3	1 ⁵ / ₁₆	6 ³ / ₈	4	17 ¹¹ / ₁₆	11 ¹ / ₄	8 or less	45 ⁵ / ₁₆	13 ³ / ₈	30 ¹¹ / ₁₆	4 ¹ / ₄ + TT	3 ³ / ₄	2 ¹ / ₄
								8 ¹ / ₂ to 11	53 ⁵ / ₁₆	21 ³ / ₈	30 ¹¹ / ₁₆			
								11 ¹ / ₂ or more	53 ⁵ / ₁₆	21 ³ / ₈	36			
64 - 74	35 ³ / ₄	4	3 ¹ / ₄	4 ¹ / ₄	4 ¹ / ₂	22 ³ / ₁₆	11	10 ¹ / ₂ or less	57 ¹ / ₂	13 ³ / ₄	42 ³ / ₈	5 ³ / ₄ + TT	1 ¹ / ₄	2 ³ / ₄
								11 or more	63	19 ¹ / ₄	42 ¹ / ₂			
75 - 83	35 ³ / ₄	4 ¹ / ₂	3 ⁵ / ₈	3 ³ / ₄	5	27 ³ / ₁₆	11	10 ¹ / ₂ or less	57 ¹ / ₂	12 ³ / ₄	45 ³ / ₄	5 ³ / ₄ + TT	1 ¹ / ₂	3 ¹ / ₄
								11 or more	63	18 ¹ / ₄	45 ³ / ₄			
84 - 110	See page 202													

* Rod take-out = (factor) - (TT / 2), for lever in high position.

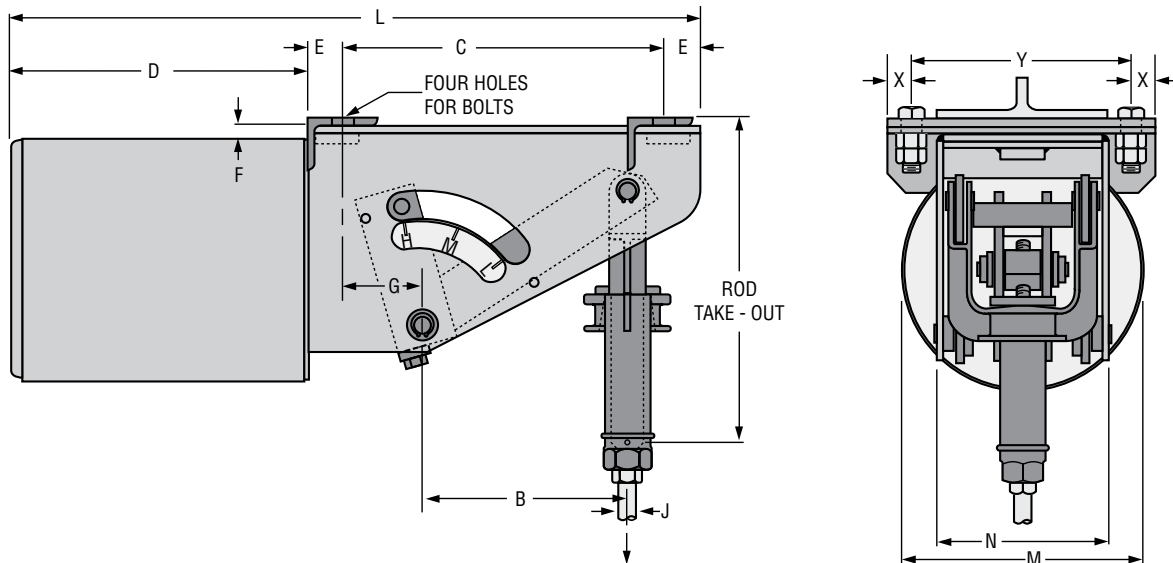
J-ROD AND K-HOLE SELECTION CHART

Load (lbs)	0 800	801 1,500	1,501 2,540	2,541 4,000	4,001 6,100	6,101 9,400	9,401 13,400	13,401 18,300	18,301 24,700	24,701 31,000	31,001 39,000	39,001 48,000	48,001 58,000
J-Rod	1/2	5/8	3/4	1	1 1/4	1 1/2	1 3/4	2	2 1/4	2 1/2	2 3/4	3	3 1/4**
K-Hole Size	1 1/16	1 3/16	1 5/16	1 1/4	1 1/2	1 3/4	2	2 3/8	2 5/8	2 7/8	3 1/8	3 3/8	3 5/8
R	1 1/4	1 1/4	1 1/4	1 1/2	2	2 1/2	2 1/2	3	3	4	4	4	4 1/2
S	7/8	1 1/16	1 1/4	1 5/8	2	2 3/8	2 3/8	2 7/8	3 1/8	3 3/8	3 3/8	3 7/8	4 1/8
T	1/4*	1/4*	3/8	1/2	5/8	3/4	3/4	3/4	3/4	1	1	1	1
W	2 1/2	2 1/2	2 1/2	3	4	5	5	6	6	8	8	8	9

* 3/4" for single rod suspension ** 3 1/4" is furnished with 4 UNC series thread.

Fig. 81-H Type D

Model R



Type D may be bolted directly under steel. Sizes 1 to 9 are furnished with swivel eye and turnbuckle instead of yoke and coupling.

Notes: See load travel tables, page 184 through 187 for "B" dimension. For weights see page 203. Location of travel indicator and contour of side plate may vary from that shown.

FIG. 81-H TYPE D: DIMENSIONS (INCHES)

Hanger Sizes	D	E	F	G	M	N	X	Y	Angle Size	Bracket Hole Dia.	Total Travel TT	L	C	Factors	J-Rod		
															Min Thd Length	Rod Dia.	
																Min	Max
1 - 9	8 ³ / ₄	1	7 ¹ / ₈	2	6 ¹ / ₈	4 ¹ / ₈	3 ¹ / ₄	5 ⁵ / ₈	2 x 2 x 1/4	9 ¹ / ₁₆	4 or less	16 ¹ / ₄	6	13 ³ / ₈	1 ³ / ₄ + TT	1/2	1/2
											4 ¹ / ₂ or more	20 ¹ / ₄	10	15 ¹⁵ / ₁₆			
10 - 18	8 ⁷ / ₁₆	3 ¹ / ₄	1/2	2 ⁹ / ₁₆	8 ⁵ / ₁₆	6 ⁷ / ₁₆	7 ⁷ / ₈	8 ¹ / ₁₆	1 1/2 x 1 1/2 x 1/4	3/4	5 or less	18 ⁷ / ₁₆	3 1/2	11 ¹³ / ₁₆	1 ³ / ₄ + TT	1/2	3/4
											5 1/2 or more	21 ⁷ / ₁₆	6	14 ³ / ₁₆			
19 - 34	14 ⁷ / ₁₆	1 1/2	5/8	3 ⁵ / ₈	12 ⁷ / ₁₆	8 ⁹ / ₁₆	1 1/8	11 ⁵ / ₁₆	3 x 3 1/2 x 1/4	3/4	5 or less	26 ¹⁵ / ₁₆	9 1/2	17 ³ / ₄	2 ³ / ₈ + TT	1/2	1 1/4
											5 1/2 or more	31 ¹ / ₁₆	13 ⁵ / ₈	19 ⁷ / ₈			
35 - 49	17 ¹ / ₁₆	2	1 1/16	4 1/2	13 ³ / ₄	9 ⁹ / ₁₆	1 3/8	13	3 x 4 x 3/8	7/8	6 or less	31 ¹ / ₁₆	10 1/2	20 ³ / ₁₆	3 1/4 + TT	1/2	1 3/4
											6 1/2 or more	39 ⁹ / ₁₆	18 1/2	25 ¹ / ₁₆			
50 - 63	26 ³ / ₁₆	2	1 5/16	7 3/8	17 ¹¹ / ₁₆	11 1/4	1 5/8	14 ⁵ / ₈	4 x 4 x 3/8	1 3/8	8 or less	45 ⁵ / ₁₆	15 ³ / ₈	27 ¹ / ₁₆	4 1/4 + TT	3/4	2 1/4
											8 1/2 to 11	53 ³ / ₁₆	23 ³ / ₈	27 ¹ / ₁₆			
											11 or more	53 ³ / ₁₆	23 ³ / ₈	32 ³ / ₈			
64 - 74	35 ³ / ₄	3	3 3/4	5 1/4	22 ³ / ₁₆	11	2	15	4 x 6 x 1/2	1 5/8	10 1/2 or less	57 1/2	15 ³ / ₄	38 ³ / ₈	5 3/4 + TT	1 1/4	2 3/4
											11 or more	63	21 1/4	38 1/2			
75 - 83	35 ³ / ₄	3	3 3/8	4 3/4	27 ³ / ₁₆	11	2	15	4 x 6 x 1/2	1 5/8	10 1/2 or less	57 1/2	15 ³ / ₄	41 1/4	5 3/4 + TT	1 1/2	3 1/4
											11 or more	63	21 1/4	41 ³ / ₈			
84 - 110	Not available																

* Rod take-out = factor - (TT / 2), for lever in high position.

J-ROD SELECTION CHART

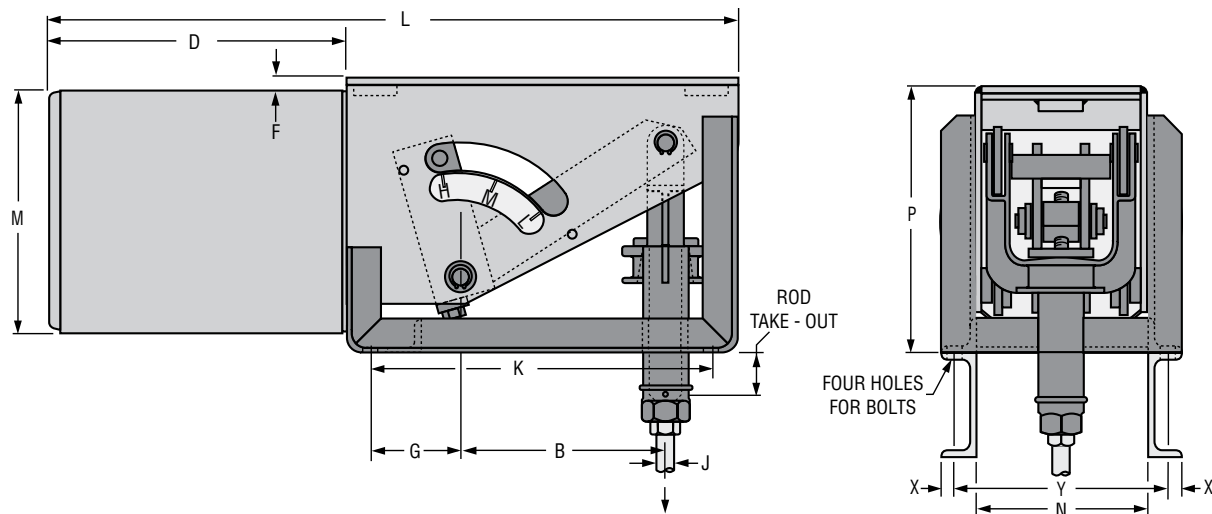
Load (lbs)	0 800	801 1,500	1,501 2,540	2,541 4,000	4,001 6,100	6,101 9,400	9,401 13,400	13,401 18,300	18,301 24,700	24,701 31,000	31,001 39,000	39,001 48,000	48,001 58,000
J Rod Size	1/2	5/8	3/4	1	1 1/4	1 1/2	1 3/4	2	2 1/4	2 1/2	2 3/4	3	3 1/4*

*3 1/4" is furnished with 4 UNC series thread.

CONSTANT SUPPORTS

Fig. 81-H Type E

Model R



Type E incorporates two brackets as part of its frame, permitting the bolting of the constant support to the top of structural steel. Sizes 1 to 9 are furnished with swivel eye and turnbuckle instead of yoke and coupling. If rod take-out does not exceed the depth of the supporting steel and rod coupling is required to extend below the steel,

specify the depth of the supporting steel. Increase rod take-out by the depth of the steel.

Notes: See load travel tables, page 184 through 187 for "B" dimension. For weights see page 203. Location of travel indicator and contour of side plate may vary from that shown.

FIG. 81-H TYPE E: DIMENSIONS (IN)

Hanger Sizes	D	F	G	M	N	P	X	Y	Angle Size	Bkt. Hole Dia.	Total Travel TT	L	K	Factors	J-Rod		
															Min Thd Length	Rod Dia.	
																Min	Max
1 - 9	8 ³ / ₄	1 ¹ / ₄	2	6 ¹ / ₈	4 ¹ / ₈	8 ¹ / ₂	5 ⁵ / ₈	5 ¹⁵ / ₁₆	1 ¹ / ₂ x 1 ¹ / ₂ x 1 ¹ / ₄	9 ¹ / ₁₆	4 or less	16 ¹ / ₄	6	5 ¹ / ₈	1 ³ / ₄ + TT	1 ¹ / ₂	1 ¹ / ₂
											4 ¹ / ₂ or more	20 ¹ / ₄	10	7 ¹ / ₁₆			
10 - 18	8 ⁷ / ₁₆	1	2 ¹ / ₁₆	8 ⁵ / ₁₆	6 ⁷ / ₁₆	11 ⁷ / ₁₆	5 ⁵ / ₈	8 ¹⁵ / ₁₆	1 ¹ / ₂ x 2 x 1 ¹ / ₄	3 ³ / ₄	5 or less	18 ⁷ / ₁₆	7 ¹ / ₂	1 ³ / ₄	1 ³ / ₄ + TT	1 ¹ / ₂	3 ³ / ₄
											5 ¹ / ₂ or more	21 ⁷ / ₁₆	7 ¹ / ₂	4 ¹ / ₁₆			
19 - 34	14 ⁷ / ₁₆	5 ⁵ / ₈	3 ⁵ / ₈	12 ⁷ / ₁₆	8 ⁹ / ₁₆	15 ⁵ / ₈	5 ⁵ / ₈	11 ³ / ₁₆	1 ¹ / ₂ x 2 ¹ / ₂ x 1 ¹ / ₄	3 ³ / ₄	5 or less	26 ¹⁵ / ₁₆	10	3 ³ / ₈	2 ³ / ₈ + TT	1 ¹ / ₂	1 ¹ / ₄
											5 ¹ / ₂ or more	31 ¹ / ₁₆	10	5 ¹ / ₂			
35 - 49	17 ¹ / ₁₆	1 ¹ / ₁₆	4 ¹ / ₂	13 ³ / ₄	9 ¹³ / ₁₆	19 ⁵ / ₈	1 ³ / ₁₆	13 ⁵ / ₁₆	3 x 2 x 3 ³ / ₈	7 ⁵ / ₈	6 or less	31 ¹ / ₁₆	11 ⁵ / ₈	4 ³ / ₈	3 ¹ / ₄ + TT	1 ¹ / ₂	1 ³ / ₄
											6 ¹ / ₂ or more	39 ⁹ / ₁₆	11 ⁵ / ₈	9 ¹ / ₂			
50 - 63	26 ³ / ₁₆	1 ⁵ / ₁₆	7 ⁵ / ₈	17 ¹ / ₁₆	11 ¹ / ₄	19 ³ / ₄	1 ⁵ / ₁₆	14 ¹ / ₁₆	3 x 3 x 3 ³ / ₈	1 ³ / ₈	8 or less	45 ⁹ / ₁₆	15 ⁵ / ₈	6 ³ / ₈	4 ¹ / ₄ + TT	3 ³ / ₄	2 ¹ / ₄
											8 ¹ / ₂ to 11	53 ⁹ / ₁₆	23 ³ / ₈	6 ³ / ₈			
											11 ¹ / ₂ or more	53 ⁹ / ₁₆	23 ³ / ₈	12 ¹ / ₄			
64 - 74	35 ³ / ₄	3 ³ / ₄	5 ¹ / ₄	22 ³ / ₁₆	11	26 ⁷ / ₈	1 ⁹ / ₁₆	14 ¹⁵ / ₁₆	3 ¹ / ₂ x 3 ¹ / ₂ x 1 ¹ / ₂	1 ⁵ / ₈	10 ¹ / ₂ or less	57 ¹ / ₂	17 ¹ / ₂	11 ¹ / ₈	5 ³ / ₄ + TT	1 ¹ / ₄	2 ¹ / ₄
											11 or more	63	23	11 ¹ / ₄			
75 - 83	35 ³ / ₄	3 ⁵ / ₈	4 ³ / ₄	27 ³ / ₁₆	11	31 ¹ / ₈	1 ⁹ / ₁₆	14 ¹⁵ / ₁₆	3 ¹ / ₂ x 3 ¹ / ₂ x 1 ¹ / ₂	1 ⁵ / ₈	10 ¹ / ₂ or less	57 ¹ / ₂	17 ¹ / ₂	9	5 ³ / ₄ + TT	1 ¹ / ₂	3 ³ / ₄
											11 or more	63	23	9 ¹ / ₈			
84 - 110	Refer to page 202																

* Rod take-out = (factor) - (TT / 2), for lever in high position.

J-ROD SELECTION CHART

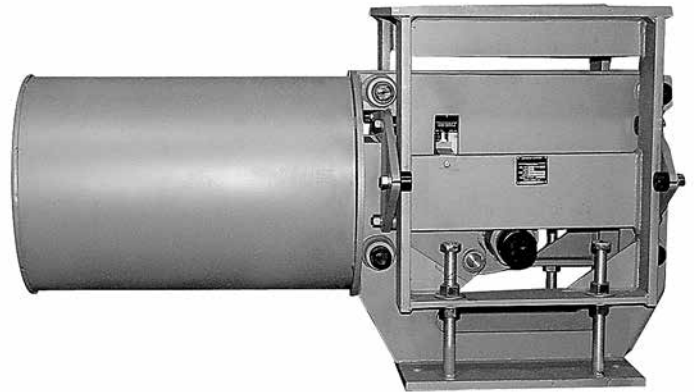
Load (lbs)	0 800	801 1,500	1,501 2,540	2,541 4,000	4,001 6,100	6,101 9,400	9,401 13,400	13,401 18,300	18,301 24,700	24,701 31,000	31,001 39,000	39,001 48,000	48,001 58,000
J Rod Size	1/2	5/8	3/4	1	1 1/4	1 1/2	1 3/4	2	2 1/4	2 1/2	2 3/4	3	3 1/4*

*3/4" is furnished with 4 UNC series thread.

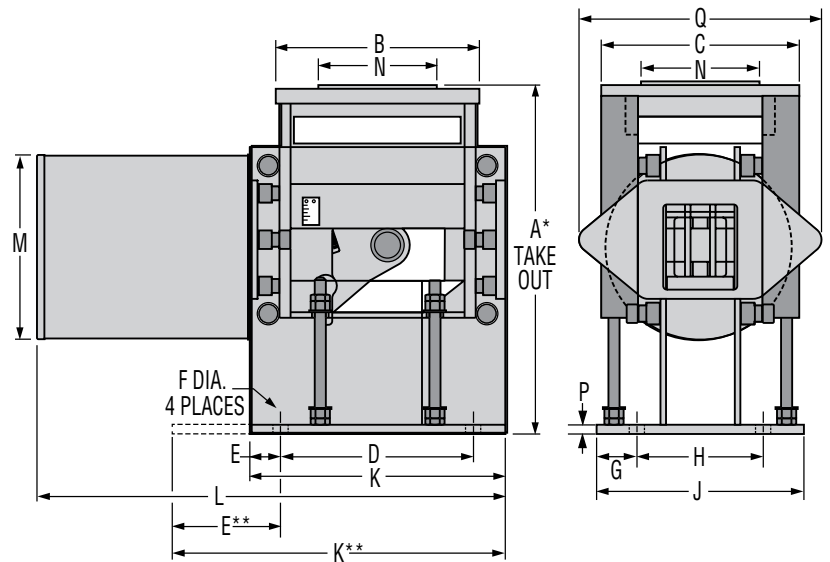
Fig. 81-H Type F Upthrust

Model R

The Upthrust is for support of piping or equipment from below. It has a base flange for fastening to the floor or beams. The load is supported during hydrostatic testing by means of (4) positioning studs. After testing the nuts are moved to either end of the stud to prevent interference during operation. The Upthrust constant support is available for loads up to 24,463 (lbs). Corrosion resistant units are available either galvanized or carbon-zinc painted.



TAKE-OUT FACTOR* "A"					
T.T.	Sizes				
	10 - 18	19 - 34	35 - 49	50 - 63	64 - 74
2.0	16 1/8	23 1/8	-	-	-
2.5			-	-	-
3.0			-	-	-
3.5			-	-	-
4.0	19 7/8	25 3/4	28 1/2	43 1/4	-
4.5					-
5.0					-
5.5					-
6.0	27 1/2	31 5/8	34	-	-
6.5				-	
7.0				-	
7.5				-	
8.0	-	-	-	-	-
8.5	-	-	-	-	-
9.0	-	-	-	-	-
9.5	-	-	-	-	-
10.0	-	-	-	-	-



Notes: * Shorter "A" Dimensions are available upon request.
 ** For sizes 64 - 74 only.

* For down travel: Take-Out = "A" + (1/2) Actual Travel
 For up travel: Take-Out = "A" - (1/2) Actual Travel

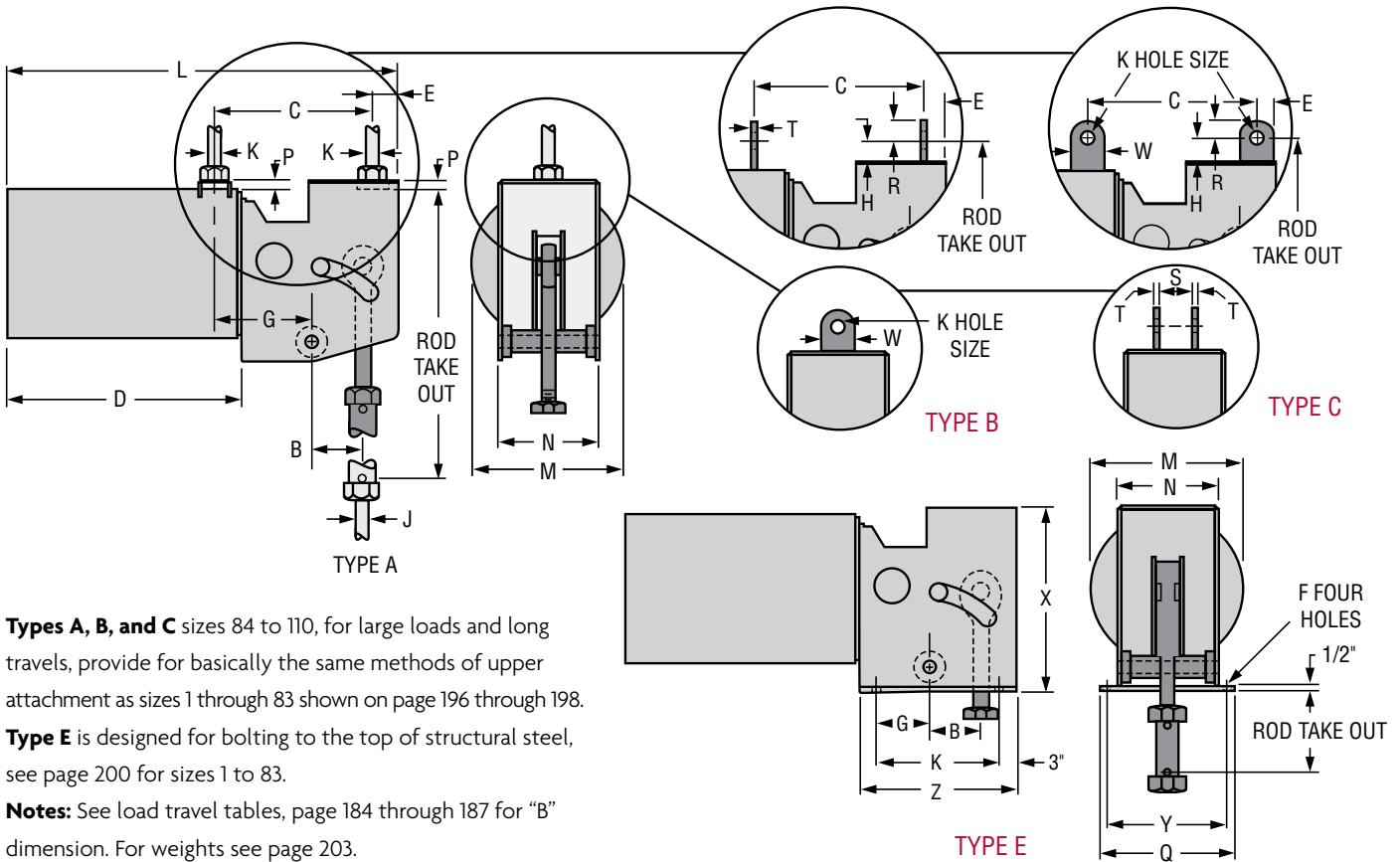
FIG. 81-H TYPE F: DIMENSIONS (IN)																
Size	Total Travel TT	A	B	C	D	E	F	G	H	J	K	L	M	N	P	Q
10 - 18	2 - 6	See Take Out	10 7/8	11 7/8	9	2 1/2	3/4	2	8	12	14	22 7/16	8 1/4	5	1/2	13 7/8
19 - 34	2 - 8		13 3/4	13 3/4	13	2 1/8			10	14	17 1/4	31 5/8	12 1/2	8	5/8	16 5/8
35 - 49	2 1/2 - 10		17 7/8	16 1/4	17	2	7/8		13	17	21	38 1/4	13 5/8		10	3/4
50 - 63	3 - 10		21 5/8	19 1/4	16 1/2	4 5/8		3 5/8	11 3/4	19	22 7/16	52	17 3/8	23 1/4		
64 - 74	4 - 10		30	25 5/8	22 5/8	16 15/16	1 1/8 Slot	4 7/16	22 5/8	31	43 3/4	65 1/2	22	28		



CONSTANT SUPPORTS

Fig. 81-H, Types A, B, C and E

Model R, Sizes 84 to 110



Types A, B, and C sizes 84 to 110, for large loads and long travels, provide for basically the same methods of upper attachment as sizes 1 through 83 shown on page 196 through 198.

Type E is designed for bolting to the top of structural steel, see page 200 for sizes 1 to 83.

Notes: See load travel tables, page 184 through 187 for "B" dimension. For weights see page 203.

FIG. 81-H, TYPES A, B, C AND E: DIMENSIONS (IN)

Hanger Size	L	C		D	E		F	G		H	K	M	N	P	Q	X	Y	Z	Total Travel TT	Factors			J-Rod		
		Type A&B	Type C		Type A&B	Type C		Type A&B & C	Type E											Type A	Type B&C	Type E	Min Thd Lgth	Rod Dia.	
																							Min	Max	
84-94	76 ³ / ₄	28	27 ¹ / ₂	49 ³ / ₄	4	4 ¹ / ₂	1 ¹ / ₈	14	6	6	21	24	10 ¹ / ₂	3	16	34	13	27	9 ¹ / ₂ or less	45 ³ / ₄	54 ³ / ₄	21 ¹ / ₈	10	2	3 ³ / ₄
																			10 or more	55 ¹ / ₂	64 ¹ / ₂	31 ³ / ₈	13		
95-110	100	49	48 ¹ / ₂	64	4	4 ¹ / ₂	1 ³ / ₈	28 ³ / ₄	8 ³ / ₄	6	30	24	11 ¹ / ₂	3 ¹ / ₂	17	37	14 ¹ / ₂	36	14 or less	56 ¹ / ₂	66	17 ⁵ / ₈	12	2 ¹ / ₂	3 ³ / ₄
																			14 ¹ / ₂ or more	65 ³ / ₄	74 ³ / ₄	26 ⁵ / ₈	15		

* Rod take-out = (factor) - (0.75 x TT), for lever in high position.

Load (lbs)	14,376 18,300	18,301 24,700	24,701 31,000	31,001 39,000	39,001 48,000	48,001 58,000	58,001 69,000	69,001 87,500
J & K-Rods	2	2 ¹ / ₄	2 ¹ / ₂	2 ³ / ₄	3	3 ¹ / ₄ *	3 ¹ / ₂ *	3 ³ / ₄ *
K-Hole	2 ³ / ₈	2 ⁵ / ₈	2 ⁷ / ₈	3 ¹ / ₈	3 ³ / ₈	3 ⁵ / ₈	3 ⁷ / ₈	4 ¹ / ₈
R	3	3	4	4	4	4 ¹ / ₂	4 ¹ / ₂	4 ¹ / ₂
S	2 ⁷ / ₈	3 ¹ / ₈	3 ³ / ₈	3 ⁵ / ₈	3 ⁷ / ₈	4 ¹ / ₈	4 ³ / ₈	4 ⁵ / ₈
T (Type B)	3/4	3/4	1	1	1	1	1 ¹ / ₂	1 ³ / ₄
T (Type C)							1 ¹ / ₄	1 ¹ / ₄
W	6	6	8	8	8	9	9	9

*3³/₄ and larger is furnished with 4 UNC series thread.